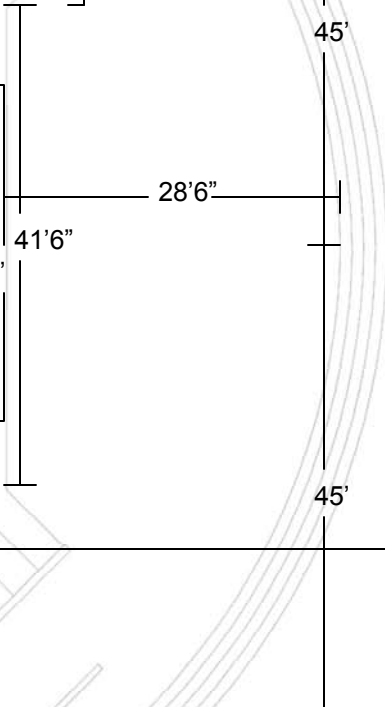
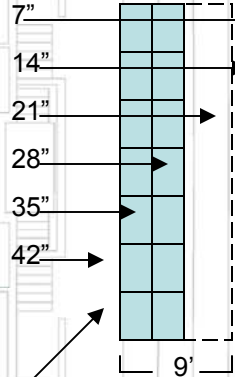


# CEILING HEIGHT

ABOVE STAGE IS 16' – 20' FROM  
UPSTAGE TO DOWNSTAGE LINE

US ----- DS

## RISER ELEVATIONS



F  
I  
R  
S  
T  
P  
E  
W

THIS IS A REMOVABLE RISER SECTION WITH 36" X 48" PANELS. A LARGE FLAT AREA OF 9' X 28' CAN BE CREATED AT THE 21" ELEVATION AND THE PANELS REUSED ELSEWHERE ON THE STAGE

# HMC STAGE DIMENSIONS LAYOUT